

# Deluxe Solar Shades

## (Nylon or Metal Beaded Chain)

### Installation Instructions

---

**BLINDSTER**

Email: [customerservice@blindster.com](mailto:customerservice@blindster.com)

Call us: (888) 256-8672

Mon - Fri 8am - 7pm (CT)

Thank you for purchasing Deluxe Solar Shades from Blindster. These shades are perfect to block the sun's harmful rays and glare while still providing excellent views in the Indoor areas of your home.

To install your new shades, please follow the instructions below as closely as possible.

### Step 1: Gathering the Tools You'll Need to Complete the Installation Process

To get started on the installation process, take the time to gather the following tools and keep them handy while you work:

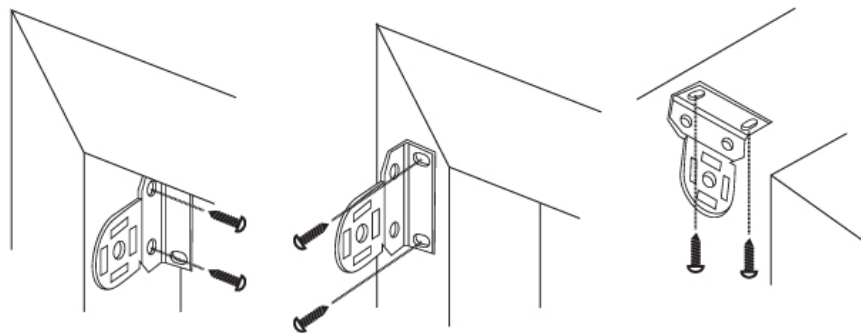
- **Tape measure**
- **Pencil**
- **Power drill**
- **Drill Bits**
- **Screwdriver**
- **Step Ladder**

**Note:** When using the drill to pre-drill holes, use a 5/64" drill bit for screw holes to attach to wall studs and head boards and a 1/4" drill bit for plastic anchors to attach to dry wall or plaster.

### Step 2: Mounting the brackets

With the required tools within reach, it's time to mount the installation brackets to the head rail.

First, attach the brackets to the window frame, molding, or ceiling as shown in the illustration below. Note that all brackets are considered universal and that they can be oriented either left or right. To attach the brackets to the mounting surface, mark where they contact it with a pencil, then pre-drill screw holes using a 5/64" drill bit or a 1/4" drill bit for plaster.



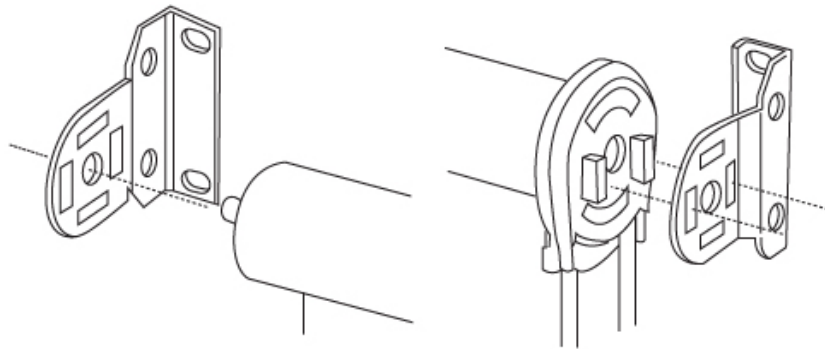
---

### Step 3: Installing the shade

With the brackets attached to the wall or window frame, put the spring loaded pins of the head rail into the round holes of each bracket.

Then, push the spring loaded tip into the bracket while inserting the hook arms on the opposite end of the shade into the hook arm receives holes of the bracket. After the hook arms have been inserted into the holes, pull down until both arms securely lock into the bracket.

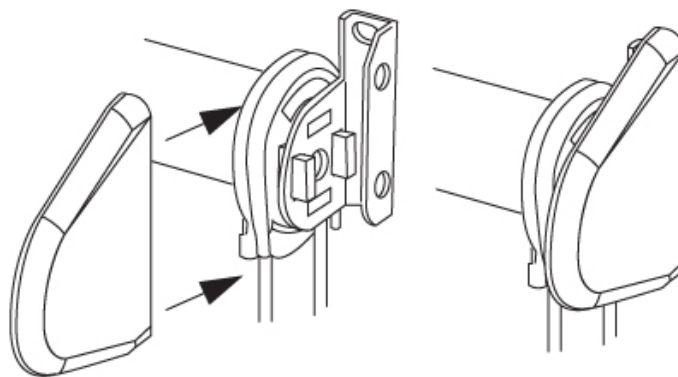
**Note:** When installing cord control shades, make sure that the bottom of the clutch is always pointing straight down.



### Step 4: Installing the bracket covers (outside mount installations only)

If you installed your shade outside your windows, use the illustration below to install the bracket covers.

Slide the bracket covers onto the brackets until they snap into position.



---

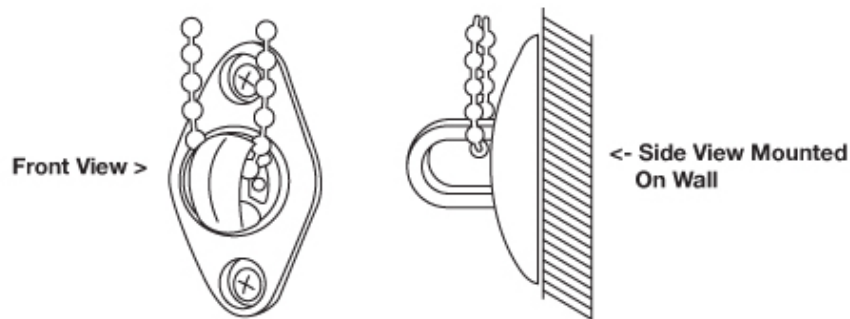
## Step 5: Attaching the safety cord guide

Your shade requires the safety cord guide to be installed in order to function properly. Note that the cord guide is pre-attached to the cord control when shipped from Blindster and must be attached either to the window frame or wall, depending on where you installed your shade.

Your cord guide can be installed vertically, horizontally, or at an angle depending on where it fits best on your mounting surface. Note that the “U” shaped guide that the chain passes through swivels and can also be set in any position and orientation to ensure smooth operation of your shade.

To attach the cord guide to your mounting surface, pre-drill holes using 3/32” drill bits and use the provided 1 ¼” screws inside the holes you created. If you’re attaching your cord guide to a hollow drywall surface, use a ¼” drill bit to drill holes for the provided drywall anchors.

**Important:** Never put tension on the cord/bean chain to ensure proper operation of your shade.



When installing the cord guide, make sure that the cord hangs loosely to optimize performance of the clutch and make sure that the cord connector passes through the guide with ease. Never twist or cross the control cord/bean chain, as this could damage the shade.

When position the base of the shade, adjust the cord so that the cord guide is oriented at the bottom of the cord loop and hangs freely. Then, compress the spring using your hand until the chain moves freely through the “U” channel.

Finally, place the tension device and bracket tightly against your window frame, wall, or other mounting surface and move it up at least ¼” from its original position. Mark the spot where the bracket contacts the mounting surface with a pencil. Then, insert and secure two screws through the holes in the base of the cord guide to complete its installation process.

---

## **Step 6: Operating your shade**

Your shade requires care and proper operation to maintain its form, function, and appearance for years to come. Read the instructions below to properly operate your shade.

### **Cordless shades**

#### **Raising the shade**

To raise your shade, grab the center of the bottom hem and pull the shade away from the window sill, then allow it slowly rise until it reaches the desired height. Don't release your grip on the shade until it reaches the desired height. Then, pull gently downward to stop the shade and lock it into place.

#### **Lowering the shade**

To lower your shade, pull straight down and lock the shade into place as described in the step above.

#### **Adjusting the spring roller tension**

If you need to increase the tension in your shade, lower the shade about 18" from the top, then remove it from the mounting brackets. Roll the shade up the rest of the way by hand and place it back into the mounting brackets. Continue this process as necessary to increase tension.

To decrease tension in the shade, raise the shade all the way to the top, then remove it from the mounting brackets. Unroll the shade about 18" down, then place it back in the mounting brackets.

Note that the tension brackets shouldn't be too tight, and that a shade that won't stay in the locked position when rolled down is too tight. Alternatively, a shade that won't roll up means the spring is too loose.

**Warning:** Over-tightening your shade could damage it.

### **Cord control shades**

To operate cord control shades, gently pull on the cord in one direction to raise it, then pull it the other direction to lower it. If the shade's fabric rolls against the window, the front cord is designed to lift the shade. If the fabric rolls toward the room, the rear cord lifts the shade.

## **Step 7: Installing hold-down fasteners for outdoor shades**

Outdoor shades purchased from Blindster ship with reclosable snap-together fasteners that help hold the shade down and restrict its movement under windy conditions.

To install these fasteners, peel the cover from one side to expose the adhesive.

Then, attach both to the bottom hem of the shade. Next, peel the cover from the other side of the fastener and attach it to the window sill or wall to hold the bottom of the shade in place.

---

If your shade features a decorative external hem bar, cut the fasteners in half lengthwise, then attach them to the hem bar.

## Step 8: Cleaning your shade

Your shade requires regular cleaning to look and operate at its best. To properly and safely clean your shade, follow the instructions below.

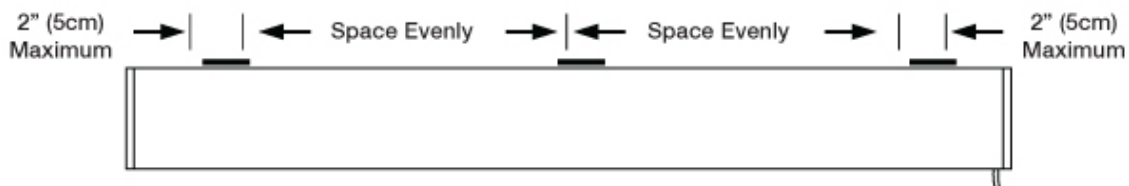
**Dusting:** Dust your shade using a light duster or the soft brush attachment for a vacuum.

**Washing:** To wash your shade, use a cloth, sponge, or soft brush and mild detergent that won't stain or discolor your shade. Always use warm or cold water when washing your shade.

## Step 9: Installing the cassette valance system

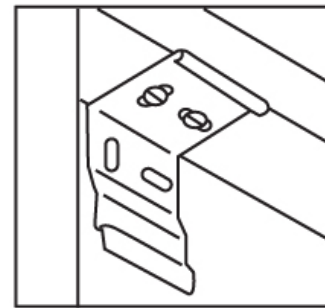
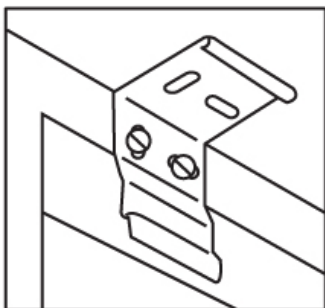
Follow the instructions below to install the cassette valance system for your new shade from Blindster.

- Mount the installation brackets to your wall or window frame, and make sure that the outside brackets are no further than 2 inches (5cm) from the ends of the head rail. If your shade requires more than two brackets, space the additional brackets evenly along the head rail.



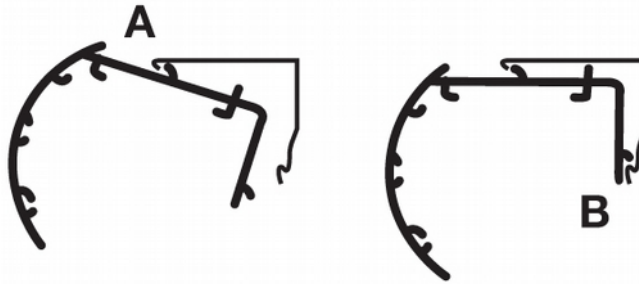
### Cassette 80

For wall or outside mounts, use the rear bracket holes and make sure that the release tab is always mounted on the bottom. For inside ceiling mounts, use the top bracket holes and make sure the release tab is always mounted on the bottom.



---

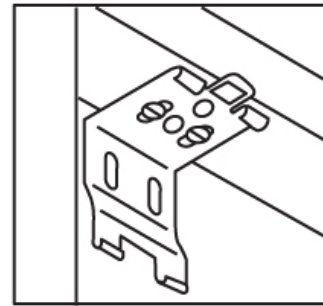
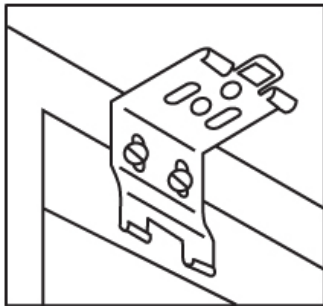
To mount the head rail, position it so that the front panel (A) rests at the top lip of the brackets. Then, push the bottom front of the head rail backwards and towards the window until the lip of the back of the head rail contacts the bracket and pops into place as shown in (B)



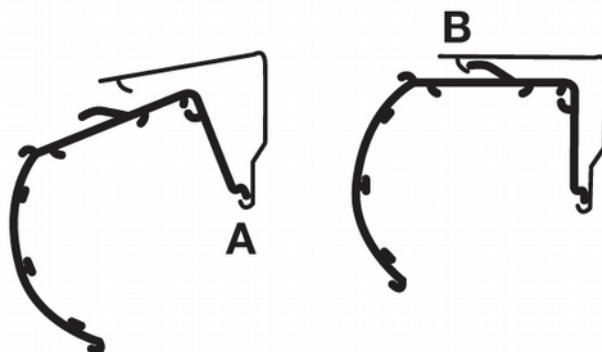
### Cassette 120

For wall or outside mounts, use the rear bracket holes. Make sure the release tab is always mounted on the top.

For inside ceiling mounts, use the top bracket holes. Make sure the release tab is always mounted on the top.



To mount the head rail, place with its back panel (A) resting on the bottom hooks of all mounting brackets. Then, push its front up and toward the window until the groove at the top of the head rail snaps into place as show in (B).



---

## **Step 10: Removing the shade**

Follow the instructions below if you need to remove your shade from your wall or window frame.

**Cassette 80:** Place a flathead screwdriver into the bottom rear of the head rail and release the locking tab. Then, gently twist the screwdriver and pry open the bracket to release the head rail from its locked position. As you release the brackets, make sure that you support the head rail to prevent it from falling and becoming damaged.

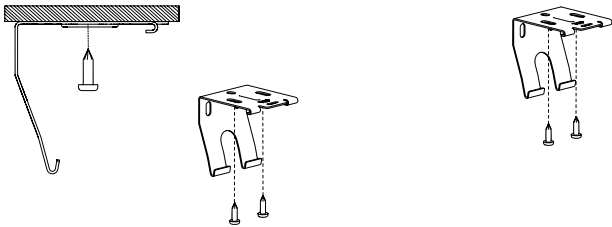
**Cassette 120:** Insert a flathead screwdriver into the top of the head rail and release the locking tab. Then, gently twist the screwdriver and pry open the bracket to fully release the head rail. As you release the brackets, hold onto the head rail to prevent it from falling.

## BRACKETS

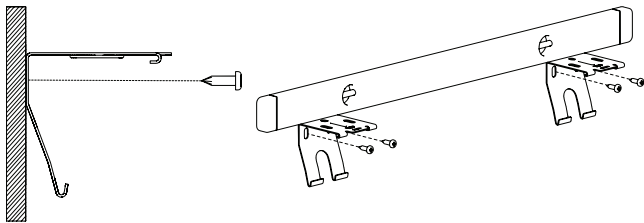
INSTALL MOUNTING BRACKETS USING CORRECT SCREWS

### INSIDE MOUNT

For inside mount, use holes on top of bracket.



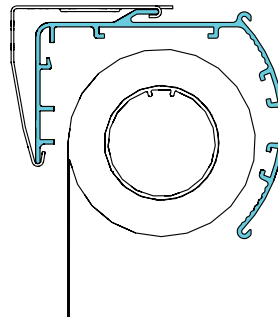
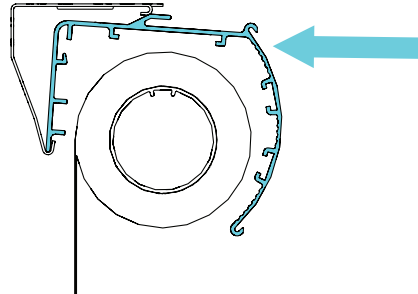
For outside mount, use holes on the back of bracket.



## HEAD RAIL

INSTALL HEAD RAIL

Snap Headrail into place by sliding groove in back of headrail into the bottom of the mounting bracket. Push forward and up, snapping the headrail into the top of the mounting bracket.



Note: The Cassette 100 is used for illustration purposes.

## INSTRUCTIONS TO REMOVE THE SHADE:

1. Push the cassette towards the wall.
2. Pull the cassette downwards.
3. If needed, you can also
  - a. Push the cassette towards the wall.
  - b. Push a flat head screw driver between the bracket and cassette.
  - c. Rotate the screw driver around its axis.
  - d. Pull the cassette away from the brackets.

